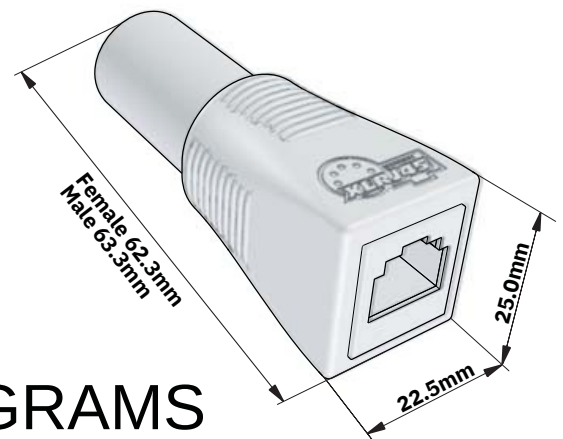
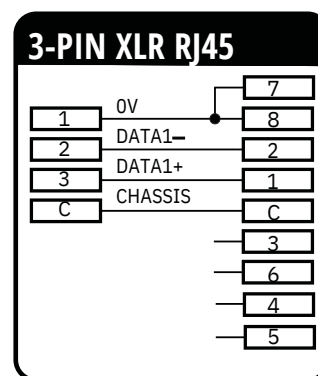
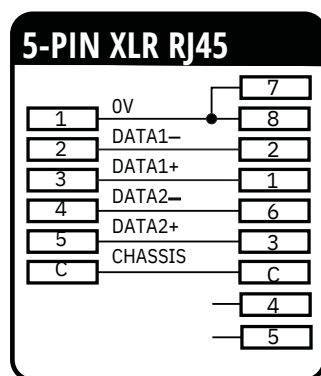


FEATURES

- Use of ordinary CAT-5 ethernet cable to make a DMX512 cable.
- Plug directly into any 3 or 5-pin XLR DMX512-controlled equipment.
- Four XLRJ45[®] versions available, male or female 3-pin or 5-pin XLR to Rj45.
- Combine different adapters as needed.
- Very robust, rugged molded housing with non-slip grip.
- Gold plated pins on connectors.
- Weight including packaging, 50gram/1.76oz.
- EAN13 Barcodes, separate code for each XLRJ45[®] package.
- Easy to use and small, fits in your pocket.
- Low cost.
- RoHS, REACH and California Prop65 Certified.



CONNECTION DIAGRAMS



XLRJ45 adapter makes it possible to use any CAT-5 Ethernet cable as a DMX512 cable. XLRJ45 is available in four versions, 3-pin male or female XLR or 5-pin male or female XLR. The different adapters can be mixed to make for example a 5-pin to 3-pin cable. XLRJ45 is very useful for making a DMX512 cable quickly and at a very low cost.